



SPINNING



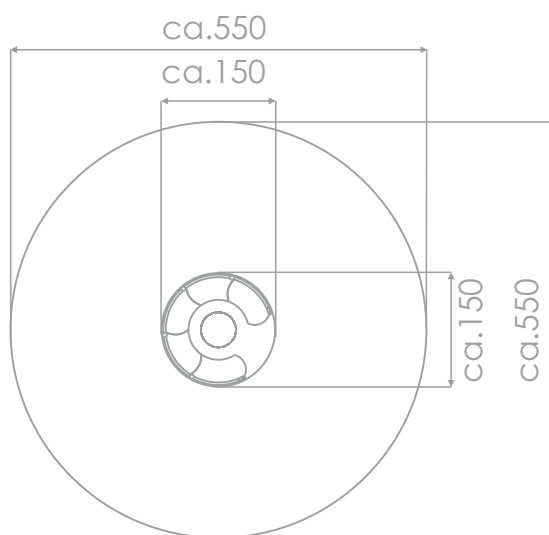
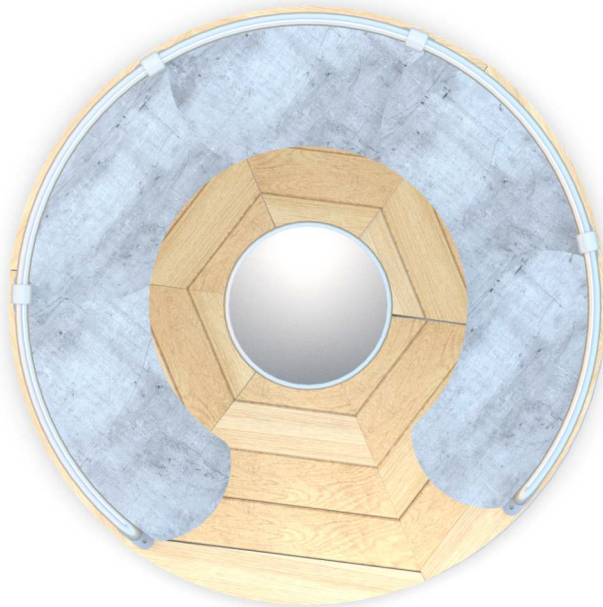
SOCIALIZING



INFORMATION ABOUT THE PRODUCT

Dimensions	ca. 150 x 150 cm
Safety zone	ca. 550 x 550 cm
Overall height	ca. 69 cm
Free fall height	ca. 69 cm
Amount of users	5 persons
Product complies with EN 1176-1:2017-12	YES
Availability of spare parts	YES
Age range	3-12
<small>According to EN 1176-1:2017-12 norm, the product requires applying a safety surface according to the product's free fall height.</small>	

Visualisation is for reference only,
actual appearance may vary.



SCALE 1:100

MATERIALS:

NATURAL ROBINIA WOOD	ELEMENTS CONSTRUCTION MADE OF STAINLESS STEEL ASISI 304	PLATES OF THE WALLS AND PLATFORMS MADE OF 13 MM HPL